



Kit Number KBTABS

Use with ABS and CME686 or CME810

Includes:

Cover, Stainless Steel	1
Ice Maker Lid Assembly	1
Gasket	8 feet
Label, Warning	1
Baffle	1
Thumb screw	2
Shoulder screw	2
Flat washer (#10)	2
Nylon nut (10-32)	2
Latch operation label	1

1. Unpack kit.
2. Remove lid holder from the front of the ABS dispenser.
3. Remove sheet metal retainer screws (item 3 on Fig. 1) from top front of dispenser.
4. Remove plastic wrap from the adapter (item 2 of Fig. 1) and set adapter on the top of the dispenser.
5. Fasten the adapter onto the bin with the retainer screws removed in step 3.
6. Replace lid holder.
7. Seal the icemaker to the top of the dispenser as follows:
 - A. Refer to illustration figure 1A and place gasket tape on top of adapter where ice making head will be. Begin attaching gasket at the front, then attach the sides and finish with the center portion (C). Center section will cover up threaded holes, not needed.
 - B. Lift the ice machine and place it onto the gasket.
8. Remove the plastic wrap from the baffle (item 7 on Fig. 1). Insert the ice baffle into the adapter. The tabs of the baffle should slide into the slots on the lid assembly.
9. Follow the ice maker manufacturer's instruction to complete the installation of the icemaker.

10. Secure the manual fill cover (item 1) to the adapter with the two shoulder screws, washers and locknuts. Check for proper operation. The cover latch should engage in the full open position and hold the cover open. Pull the red knob on the latch to release the cover.

11. Put the warning labels on the front of the cover (refer to Fig. 1).

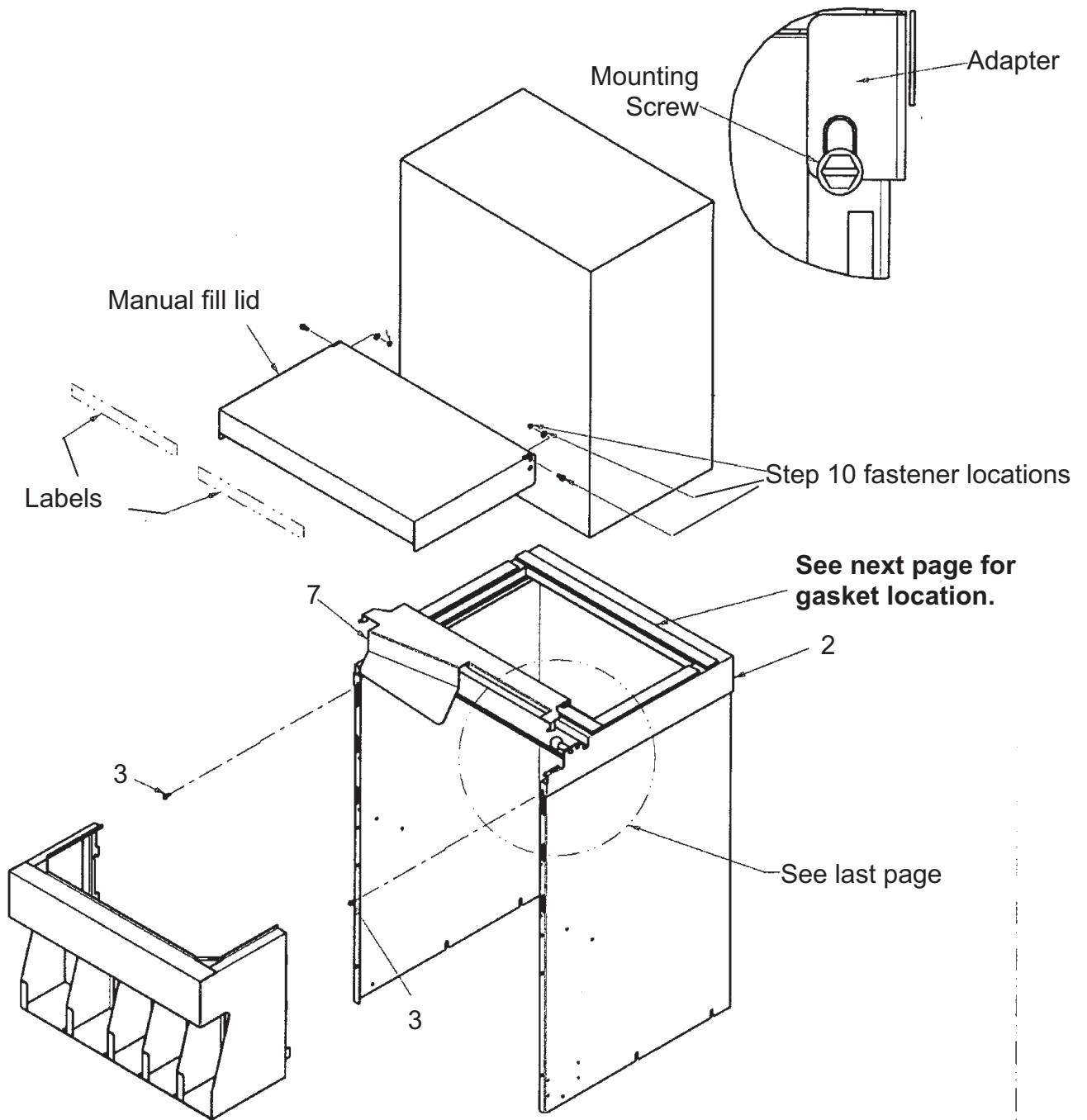


Figure 1

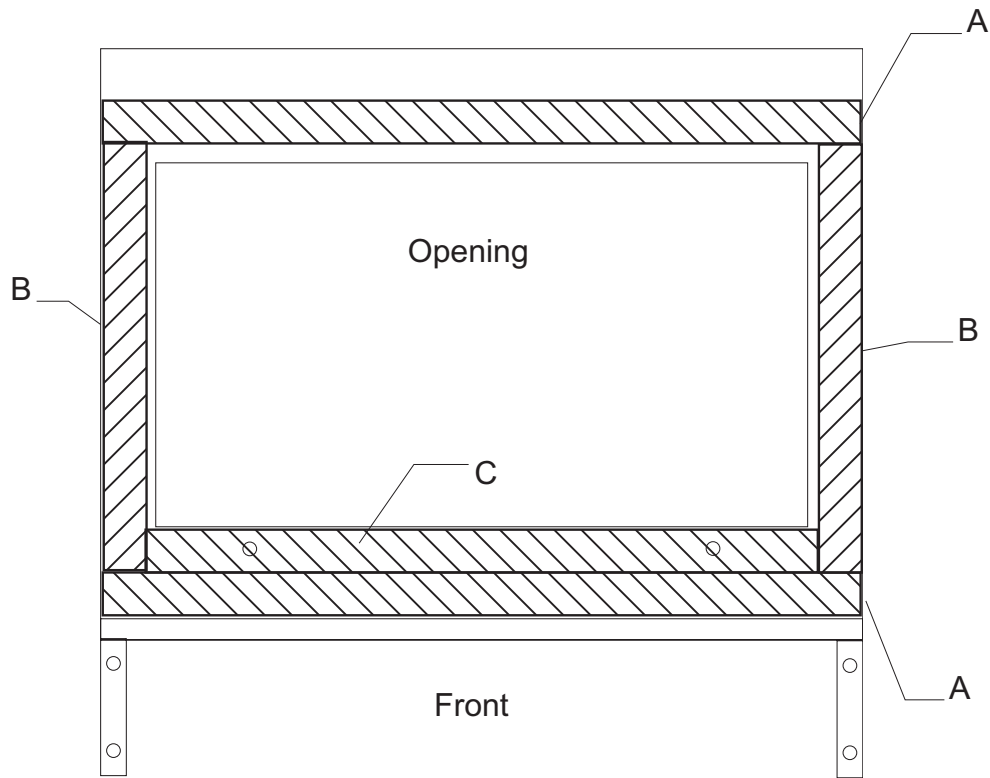
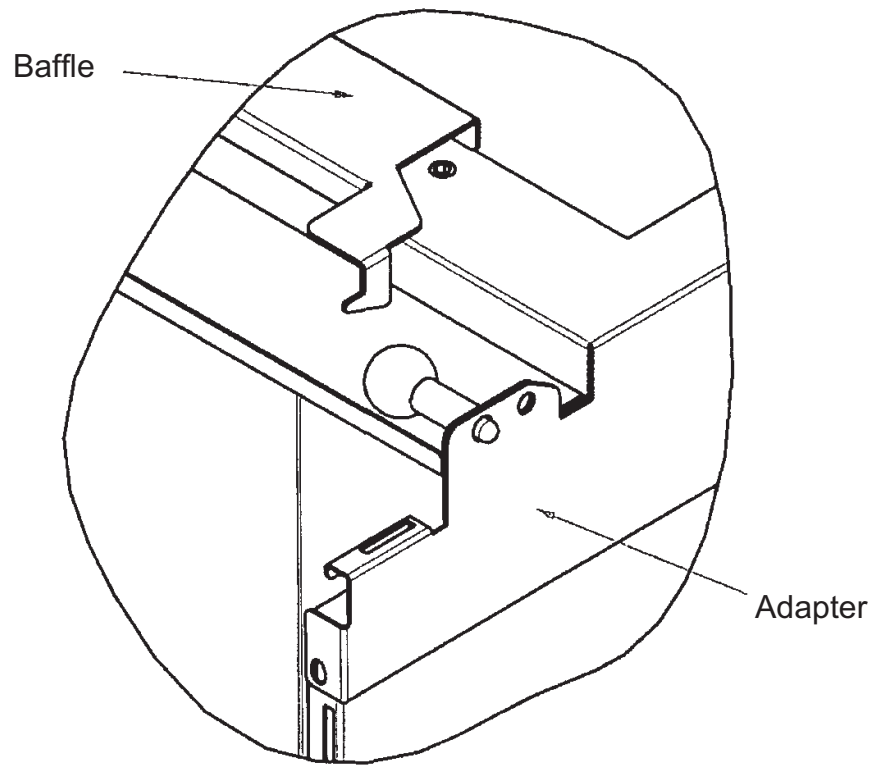
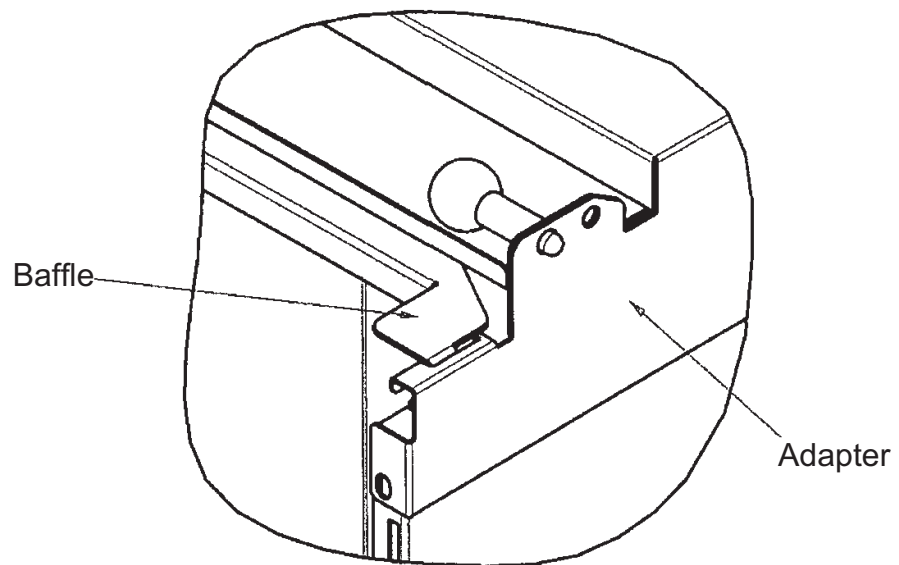


Figure 1A - Gasket Locations

Gasket Lengths		
Location Code	Use At	Cut to Length
A - need 2	Front or Back	22 1/8"
B - need 2	Sides	12 1/2"
C - need 1	Center Front	19 5/8"



Insert Baffle Tabs into Slots of Adapter



Baffle Installation